

# JUST LED moduLight | 1-1700

LED color proofing light, dual illuminant D50 and D65



- LED color proofing light with one module
- including wire for ceiling suspension
- Item-No.: 202126 / 202182\*

## PRODUCT CHARACTERISTICS

- corresponds to ISO 3664:2009 und ISO 3668
- switchable CIE illuminants D50 / D65 (5000 / 6500 K)
- switchable UV content (on / off)
- extremely uniform, gloss and glare free illumination
- continuous dimming without color shifts
- softproofing compatible, application friendly
- patented full-spectrum JUST LED technology
- very low metamerism in the visible and UV range

## APPLICATIONS & MATERIALS

- production quality assurance and control
- incoming material inspection
- research and development
- customer presentation
- critical color assessment of materials and surfaces of all types:
  - paper, packaging, textiles, wood
  - plastics, films, coatings, depositions
  - paints, stains, dyes, finishes, surface treatments
  - ceramics, metals, powders
  - food, pharmaceuticals, cosmetics, etc.

## TECHNICAL DATA

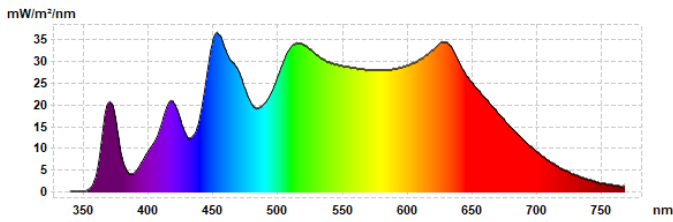
Electric data	
Maximum electric power	116 W
Operating voltage	230 V / 110 V*
Tension frequency	50 / 60 Hz
Connection cable	power cable, angle plug type 303 to IEC socket type 601 / NEMA 5-15P Male*
Maximum continuous current (continuous operation)	0,5 A / 1.1 A*
Operating mode	Continuous operation
Expected lifetime (continuous operation)	>50.000 h

Photometric data and colorimetric characteristics	
Illuminant types	CIE D50 (5000 K) , CIE D65 (6500 K)
Ra (Color Rendering Index) ø	>95
Metamerism Index (visible range)	<1
Metamerism Index (UV-range)	<1,5
Chromaticity error	<0,002
Chromaticity coordinate (10°)	D50: x=0,3478 y=0,3595
	D65: x=0,3138 y=0,3309

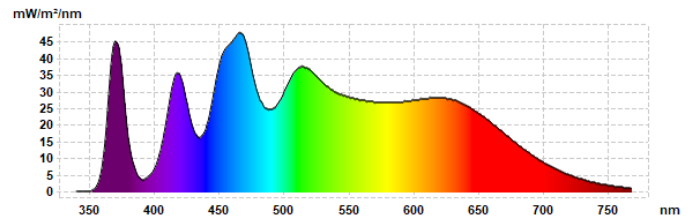
\*Item-No. / Data for US version of the product

Subject to change.

## Spectrum LED moduLight D50



## Spectrum LED moduLight D65



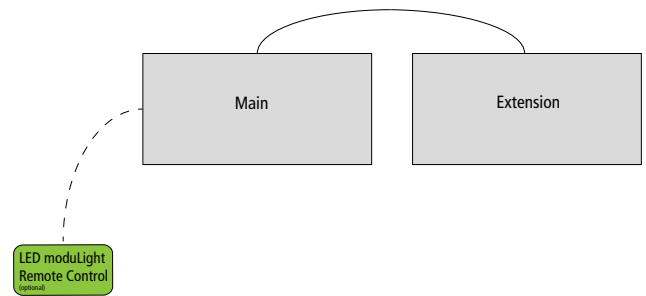
### Mechanical data

Illumination area (WxD)	160 x 40 cm / 63" x 15 3/4"*
Outside dimensions (WxHxD)	174 x 9 x 16 cm / 68 1/2" x 3 1/2" x 6 1/4"*
Product weight	10 kg / 22 lbs*
Shipping weight	22 kg / 48,5 lbs*
Housing	Anodized aluminium
Lens	special prismatic lens , UV-transmissive
Protection class	IP 52
Permitted ambient temperature	0°C ≤ X ≤ 45°C / 32°F ≤ X ≤ 113°F

\*Item-No. / Data for US version of the product

## LED-CONTROL

- easy and intuitive operation
- supports simultaneous control of several luminaires (Main / Extension)
- Also available as external control (optional) (Item-No. 202073)



**Dimmanzeige**  
 Illuminance level

**An/Aus**  
 on/off

**D50**  
 D50 Normlicht nach ISO 3664:2009  
 Illuminant D50 according to ISO 3664:2009

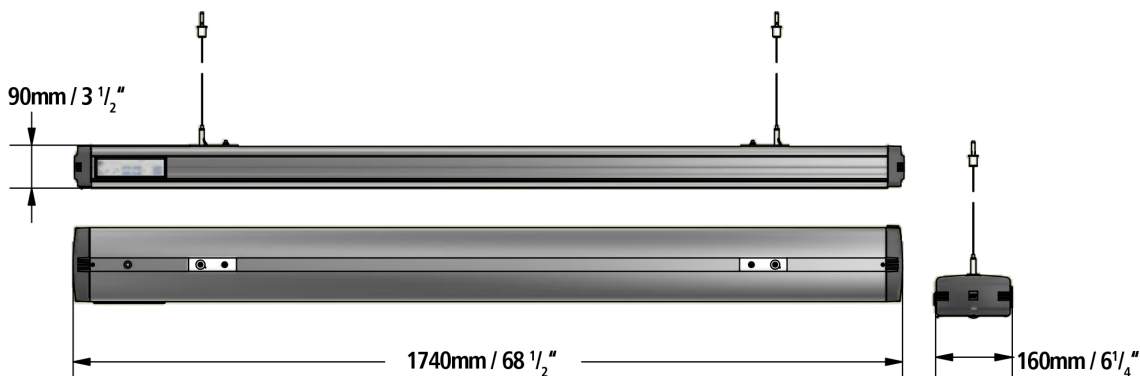
**D65**  
 D65 Normlicht nach ISO 3668  
 Illuminant D65 according to ISO 3668

**UV OFF**  
 Zur Abmusterung nach alter ISO Norm ohne erhöhten UV-Anteil  
 UV content switch (on/off)

**P1, P2**  
 Preset abspeichern  
 presets stored (2)

**+, -**  
 stufenlos Dimmen  
 continuous dimming

## DIMENSIONS



Subject to change.

OPTICAL QUALITY CONTROL DEVICE  
NOT FOR USE IN GENERAL LIGHTING

