

JUST LED moduLight | 3-1700

LED color proofing light, dual illuminant D50 and D65



- LED color proofing light with three modules
- including wire for ceiling suspension
- Item-No.: 201849 / 201874*

PRODUCT CHARACTERISTICS

- corresponds to ISO 3664:2009 und ISO 3668
- switchable CIE illuminants D50 / D65 (5000 / 6500 K)
- switchable UV content (on / off)
- extremely uniform, gloss and glare free illumination
- continuous dimming without color shifts
- softproofing compatible, application friendly
- patented full-spectrum JUST LED technology
- very low metamerism in the visible and UV range

APPLICATIONS & MATERIALS

- production quality assurance and control
- incoming material inspection
- research and development
- customer presentation
- critical color assessment of materials and surfaces of all types:
 - paper, packaging, textiles, wood
 - plastics, films, coatings, depositions
 - paints, stains, dyes, finishes, surface treatments
 - ceramics, metals, powders
 - food, pharmaceuticals, cosmetics, etc.

TECHNICAL DATA

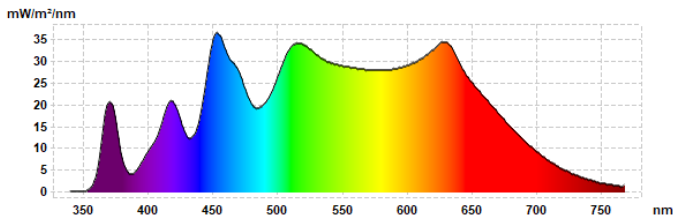
Electric data	
Maximum electric power	348 W
Operating voltage	230 V / 110 V*
Tension frequency	50 / 60 Hz
Connection cable	power cable, angle plug type 303 to IEC socket type 601 / NEMA 5-15P Male*
Maximum continuous current (continuous operation)	1,5 A / 3.2 A*
Operating mode	Continuous operation
Expected lifetime (continuous operation)	>50.000 h

Photometric data and colorimetric characteristics	
Illuminant types	CIE D50 (5000 K) , CIE D65 (6500 K)
Ra (Color Rendering Index) ø	>95
Metamerism Index (visible range)	<1
Metamerism Index (UV-range)	<1,5
Chromaticity error	<0,002
Chromaticity coordinate (10°)	D50: x=0,3478 y=0,3595
	D65: x=0,3138 y=0,3309

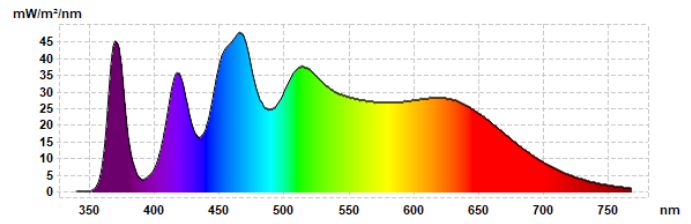
*Item-No. / Data for US version of the product

Subject to change.

Spectrum LED moduLight D50



Spectrum LED moduLight D65



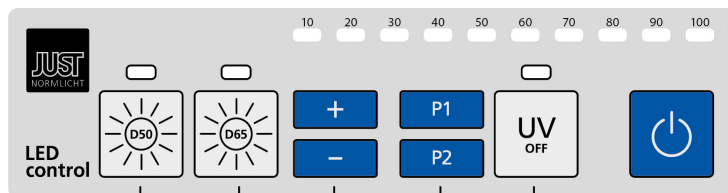
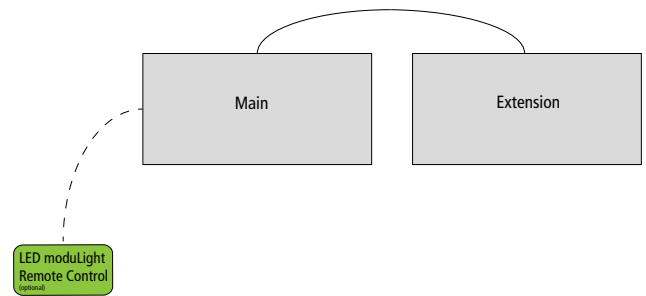
Mechanical data

Illumination area (WxD)	160 x 140 cm / 63" x 55 1/8"*
Outside dimensions (WxHxD)	174 x 11,5 x 86,5 cm / 68 1/2" x 4 1/2" x 34"*
Product weight	38 kg / 83,7 lbs*
Shipping weight	78 kg / 172 lbs*
Housing	Anodized aluminium
Lens	special prismatic lens , UV-transmissive
Protection class	IP 52
Permitted ambient temperature	0°C ≤ X ≤ 45°C / 32°F ≤ X ≤ 113°F

*Item-No. / Data for US version of the product

LED-CONTROL

- easy and intuitive operation
- supports simultaneous control of several luminaires (Main / Extension)
- Also available as external control (optional) (Item-No. 202073)



Dimmanzeige
Illuminance level

An/Aus
on/off

D50 Normlicht nach ISO 3664:2009
Illuminant D50 according to ISO 3664:2009

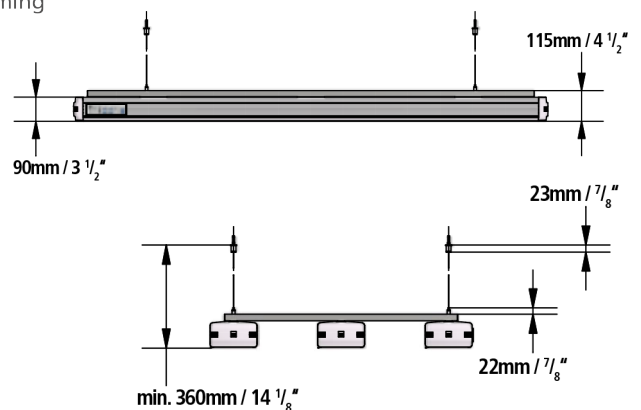
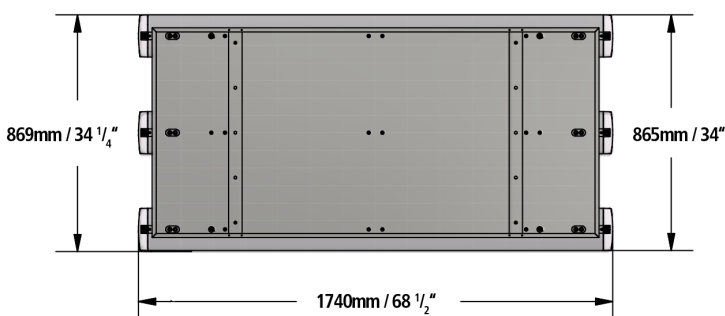
D65 Normlicht nach ISO 3668
Illuminant D65 according to ISO 3668

Zur Abmusterung nach alter ISO Norm ohne erhöhten UV-Anteil
UV content switch (on/off)

Preset abspeichern
presets stored (2)

stufenlos Dimmen
continuous dimming

DIMENSIONS



OPTICAL QUALITY CONTROL DEVICE
NOT FOR USE IN GENERAL LIGHTING

