

# DLS moduLight | 1-1700

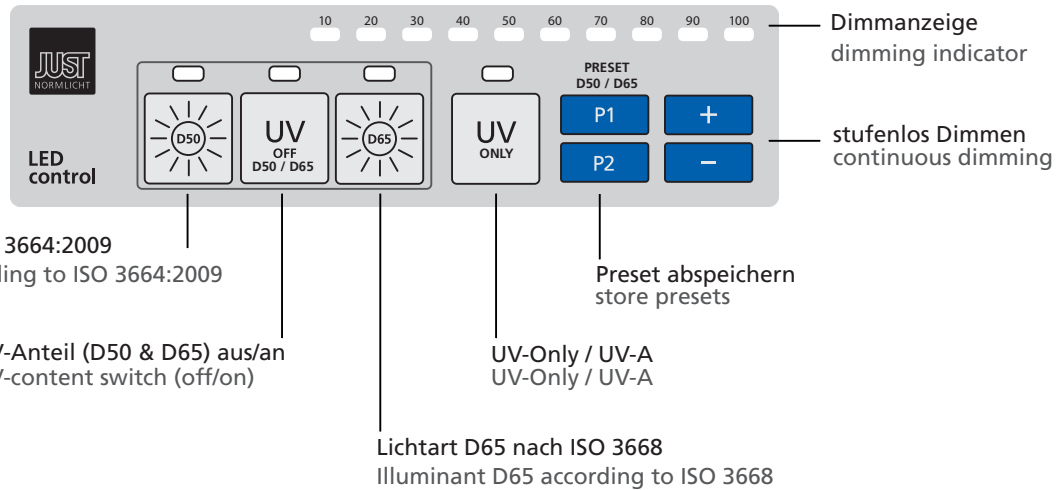
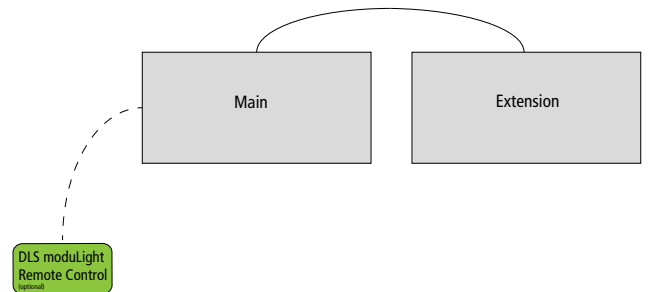
LED-based color proofing light; D50, D65 and UV-A



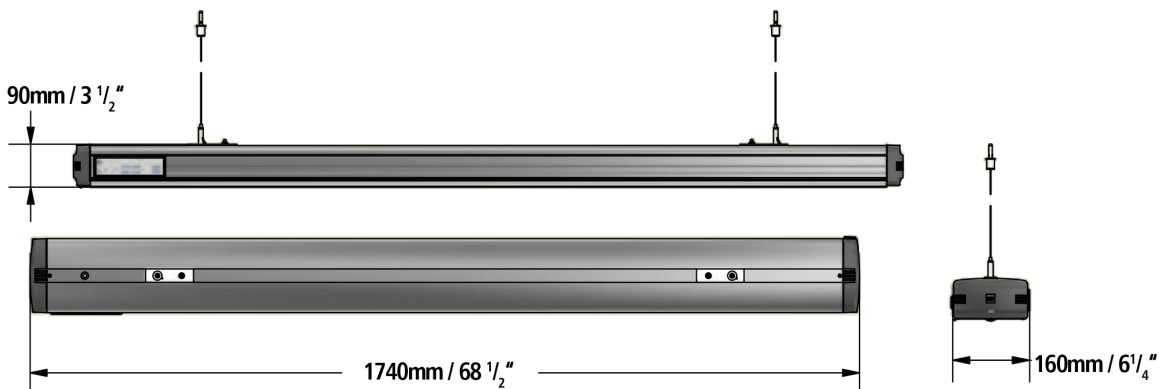
- LED-based color proofing light with one module
- including wire for ceiling suspension
- Item-No.: 202126 / 202182\*

## LED-CONTROL

- easy and intuitive operation
- supports simultaneous control of several luminaires (Main / Extension)
- Also available as external control (optional) (Item-No. 202073)



## DIMENSIONS



\*Item-No. / Data for US version of the product  
Subject to change.

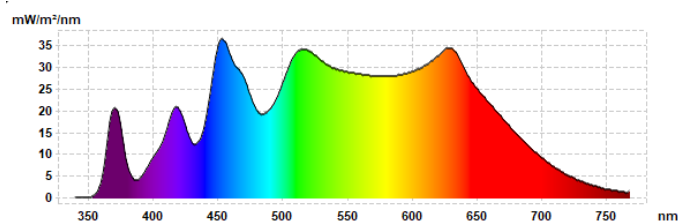
# TECHNICAL DATA

Electric data	
Maximum electric power	116 W
Operating voltage	230 V / 110 V*
Tension frequency	50 / 60 Hz
Connection cable	power cable, angle plug type 303 to IEC socket type 601 / NEMA 5-15P Male*
Maximum continuous current (continuous operation)	0,5 A / 1.1 A*
Operating mode	Continuous operation
Expected lifetime (continuous operation)	>50.000 h

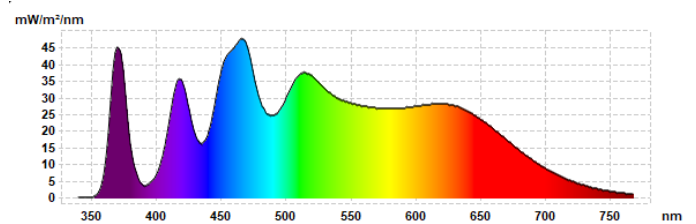
Photometric data and colorimetric characteristics	
Illuminant types	CIE D50 (5000 K) , CIE D65 (6500 K), UV-ONLY (UV-A)
Ra (Color Rendering Index) $\varnothing$	>95
Metamerism Index (visible range)	<1
Metamerism Index (UV-range)	<1,5
Chromaticity error	<0,002
Chromaticity coordinate (10°)	D50: x=0,3478 y=0,3595; D65: x=0,3138 y=0,3309
Dominant wavelength UV-ONLY	365 nm
Radiant power UV-ONLY	8 W
Risk assessment according to DIN-EN-62471	D65+UV / D50+UV: RG0 UV-ONLY: RG1

Mechanical data	
Illumination area (WxD)	160 x 40 cm / 63'' x 15 3/4''*
Outside dimensions (WxHxD)	174 x 9 x 16 cm / 68 1/2'' x 3 1/2'' x 6 1/4''*
Product weight	10 kg / 22 lbs*
Shipping weight	22 kg / 48,5 lbs*
Housing	Anodized aluminium
Lens	special prismatic lens , UV-transmissive
Protection class	IP 52
Permitted ambient temperature	0°C ≤ X ≤ 40°C / 32°F ≤ X ≤ 104°F

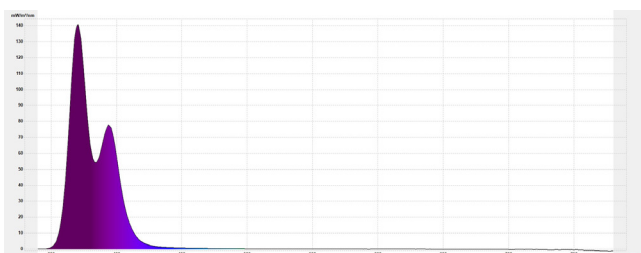
**Spectrum DLS moduLight D50**



**Spectrum DLS moduLight D65**



**Spectrum UV-A (UV-ONLY)**



\*Item-No. / Data for US version of the product  
Subject to change.

