

JUST LED moduLight | 3-1200

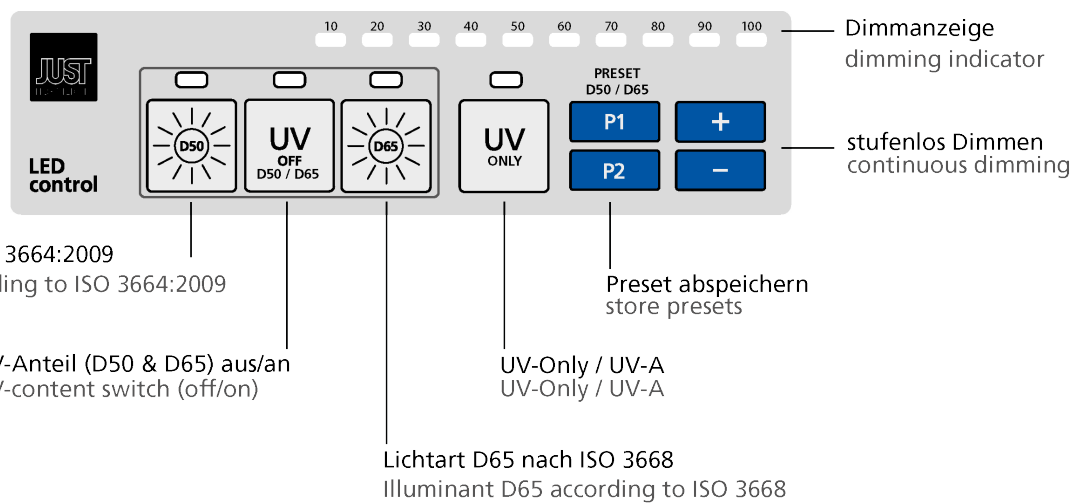
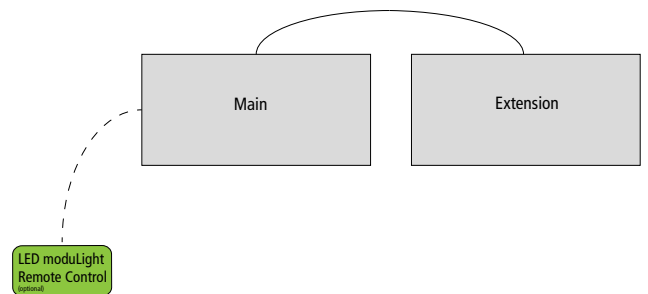
LED color proofing light; D50, D65 and UV-A



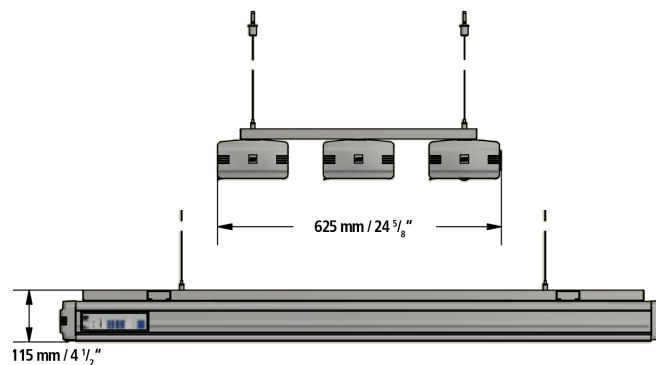
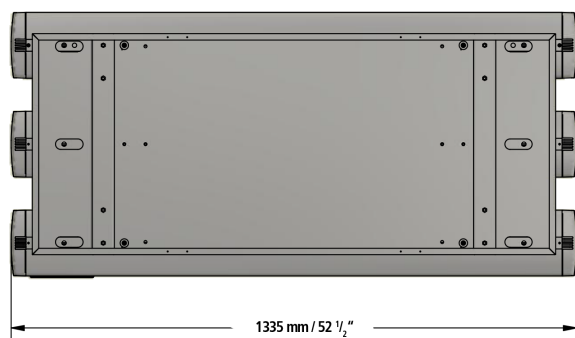
- LED luminaire with three modules
- including wire for ceiling suspension
- Item-No.: 201846 / 201510*

LED-CONTROL

- easy and intuitive operation
- supports simultaneous control of several luminaires (Main / Extension)
- Also available as external control (optional) (Item-No. 202073)



DIMENSIONS



*Item-No. / Data for EU version of the product
Subject to change.

TECHNICAL DATA

Electric data

Maximum electric power	270 W
Operating voltage	230 V / 110 V*
Frequency	60 / 50 Hz
Power Connection	power cable, angle plug type 303 to IEC socket type 601 / <i>NEMA 5-15P Male*</i>
Maximum continuous operation current	1,2 A / 2.5 A*
Operating mode	Continuous operation
Expected lifetime (continuous operation)	>50,000 hours

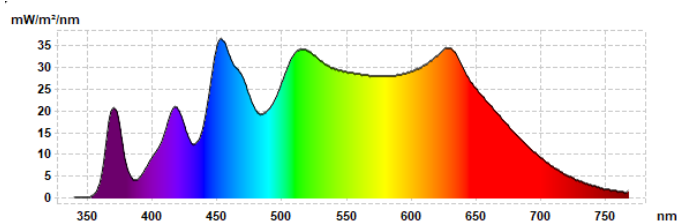
Photometric data and colorimetric characteristics

Illuminant types	CIE D50 (5000 K) , CIE D65 (6500 K), UV-ONLY (UV-A)
Color Rendering Index average (Ra)	>95
Metamerism Index (Mlvis)	<1
Metamerism Index (Mluv)	<1.5
Chromaticity error	<0.002
Chromaticity coordinates (10° observer)	D50: x=0.3478 y=0.3595; D65: x=0.3138 y=0.3309
Dominant wavelength UV-ONLY	365 nm
Radiant power UV-ONLY	18 W
Risk assessment according to DIN-EN-62471	D65+UV / D50+UV: RG0 UV-ONLY: RG1

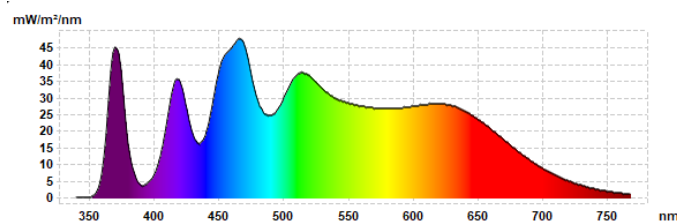
Mechanical data

Illumination area (WxD)	100 x 120 cm / 39 ³ / ₈ " x 47 ¹ / ₄ " *
Outside dimensions (WxHxD)	133,5 x 11,5 x 62,5 cm / 52 ¹ / ₂ " x 4 ¹ / ₂ " x 24 ⁵ / ₈ " *
Product weight	27 kg / 60 lbs *
Shipping weight	51 kg / 112 lbs *
Housing	Anodized aluminium
Lens	special prismatic lens , UV-transmissive
Protection class	IP 52
Permitted ambient temperature	0°C ≤ X ≤ 40°C / 32°F ≤ X ≤ 104°F

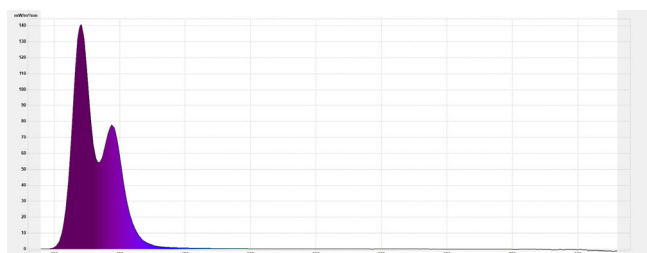
Spectrum LED moduLight D50



Spectrum LED moduLight D65



Spectrum UV-A (UV-ONLY)



*Item-No. / Data for US version of the product

Subject to change.

