

# DLS COLOR VIEWING LIGHT V8 S

## Assembly and instruction manual

DLS Color Viewing Light v8 S

Art. Nr.: 203278 / 203279\*

DLS Color Viewing Light v8 S Hybrid

Art. Nr.: 203080 / 203079\*



\*Data for US version of the product

# Table of contents

▪ Introduction	3
▪ Intended use	4
▪ Safety precautions	5
▪ Product description	8
▪ Packing list and accessories	9
▪ Mounting instruction	10
▪ Operating instruction	11
▪ Technical and electrical specifications	13
▪ Troubleshooting	14
▪ Maintenance information	15
▪ Warranty policy	16
▪ Return Material Authorisation (RMA)	17
▪ Contact details	19
▪ Document history	20

# Introduction

Dear Customer,

We are pleased you purchased the DLS Color Viewing Light v8 from JUST Normlicht.

Please read this instruction manual very carefully, especially the safety precautions on page 05. These instructions explain the device you have purchased and its features. This will ensure your safety as well as reliable operation and a long service life.

The technical data, illustrations and dimensions in this manual may vary due to future product enhancement. Please check online for the most current product documentation.

If you have any questions or suggestions, please do not hesitate to contact our colleagues at any of our locations. We look forward to hearing from you!

JUST Normlicht GmbH



# Intended use

The DLS Color Viewing Light v8 viewing booths are designed for quality control and critical inspection of colored and fluorescent materials and surfaces according to valid norms and standards.

The DLS Color Viewing Light v8 booths may only be operated in an indoor environment protected from humidity, dust and condensation.

Never use DLS Color Viewing Light v8 products in poorly ventilated locations where there is a risk of explosion from gas or dust.

Please note that JUST Normlicht light sources are not intended for general lighting purposes.

# Safety precautions



Please read these instruction manual carefully before use.

All products of the JUST Normlicht company are subject to a strict final quality control. If this product is not faultless, please contact your local dealer (see page 19).

For safe and secure installation and use of the product, follow the manufacturer's instructions. The manufacturer accepts no liability for errors due to incorrect installation! The assembly must be carried out exactly according to the instructions. Incorrect assembly can lead to malfunctions or safety risks.

Products should not be modified. Any such changes will void the warranty. The manufacturer accepts no liability for injuries or damages resulting from incorrect use of the product. Children and persons with limited physical, mental or other abilities, who cannot operate this device safely, as well as unauthorized persons, should not access this electrical device without supervision.

**Important Notice!** Products may have been assembled and tested before shipment. You may see evidence of this assembly/disassembly, which is a normal part of our quality control process and is not due to prior use or a returned product. This does not affect the product use or function and does not constitute a reason for return.

Keep these operating instructions for later use or inquiries. If you pass the lamp on to a third party, please include the operating instructions. These operating instructions can be requested from the dealer as a PDF file.

This product complies with protection class II and is only approved for connection to 230 V~/  
\*120 V, 50 Hz, 60 Hz.



The DLS Color Viewing Light v8 series product complies with the essential requirements of the European Directives LVD 2014/35/EU, EMC 2014/30/EU and ROHS 2011/65/EU, as well as other standards.



This device is intended only for the purpose of quality inspection under standardized viewing conditions. It is not suitable for general illumination.



This device is for indoor use only.

\*Data for US version of the product

## **Installation:**

Check the delivery for completeness and undamaged condition immediately after receipt by unpacking and inspecting all components, comparing this to the packing list. The device overview can be found on page 09. If anything is missing, please contact your local dealer (see page 19).

### **Keep the device disconnected from the power supply until the installation has been carried out.**

Do not switch on the device if it shows any damage. When a defect is detected, the power supply must be disconnected immediately, as protection against the risk of electric shock and short circuit is no longer provided.



Connect only to grounded power sources or grounded electrical outlets.

## **Repair and tube replacement:**

Do not make any repairs or modifications to your proofing device or the power cable. Defective luminaires may only be replaced by the manufacturer, because incorrect repairs can cause considerable consequential damage. In case of defects, contact the responsible sales department (see page 19).

## **Care instructions:**

Care must be taken to ensure that no moisture enters the connection compartments, cables or other parts with electricity. Moisture in the luminaire can cause an electric shock or short circuit.

Clean the surfaces of the device using a damp cloth and commercially available cleaning agents. Do not clean the acrylic glass panes with harsh cleaning agents. The surface of the base frame, which is deliberately kept matt, is sensitive to scratches, which may also only be cleaned with a soft cloth.

The use of improper cleaning agents may cause stains, damage to the surfaces or discoloration of the lenses.

**Waste disposal:**



Products, components and tubes must not be disposed of as unsorted municipal household waste. This must be taken to a specialized recycling company of electrical and electronic equipment.

**Other notes:**

Protect your device from moisture when in use.

Do not use multiple sockets.

Avoid pulling on the power supply to disconnect the device from the power supply.

Only use accessories supplied with or suitable for your device by the manufacturer. Do not attach any foreign objects (e.g. decorations) that are not included in the scope of delivery of the system.



**Caution: UVA Radiation!**

Do not look directly into the source! Avoid shining the light on uncovered skin less than 1 meter away for long periods of time.

# Product description

Discover the latest kind of color proofing with our DLS Color Viewing Light v8. The optimized control system enables much easier LED-based assessment. In addition to the illuminants D50, D65 and UV-A, two specific illuminants can be added to the DLS Color Viewing Light v8, according to customer's needs. Furthermore, the UV content can be turned ON/OFF and stored proofing settings can be easily switched on or off at the touch of a button.

High performance LED-based viewing light with:

- unmatched light distribution
- high uniformity and optimal spectral characteristics
- shadow- and glare-free CAD-based prismatic diffuser
- expected life of 50,000 hours
- 5 illuminants according to:

<b>D50</b>	ISO 23603, CIE S 012, ISO 3664
<b>D65</b>	ISO 23603, CIE S 012, ISO 3668
<b>ALT1</b>	CIE 15:2018 LED B1-B5 (2733 - 6598 K / Ra=80)
<b>ALT2</b>	CIE 15:2018 LED B1-B5 (2733 - 6598 K / Ra=80) or TL83/TL84/F11 (fluorescent tubes)
<b>UV-A</b>	

- Mixed-light function - multiple illuminants can be selected simultaneously
- D50/D65 continuous dimming
- D50/D65 switch off/on UV-content
- USB interface
- Memory function for presets
- Programmable light sequences
- U.S. Pat. No. US 8,592,748,B2



# Packing list and accessories

The DLS Color Viewing Light v8 S is composed of the following components:

Quantity	Designation	Item No.
1	DLS luminaire	203087
1	Base unit	202353
1	Rear wall	202356
2	Sidewalls	202354/ 202355
10	Screw DIN7985 AM 4x12 VZ	76687
1	Power cord	36673 / 36848*
2	Magnet	203322

Please note that the components are packed in one or more boxes and envelopes. Be sure to check any packing material. If any component is missing, please contact your local dealer (see page 19).

## **Accessories**

Only use the accessories for your viewing booth that are supplied with the device or provided by the manufacturer. Use of inadequate equipment can create significant hazards. For example, prevent tipping with suitable wall mounts, bases or cabinets and damage to the coated viewing surface with unsuitable sample holders or rigid stands. Do not attach any objects to the product that are not included with the system. This includes decorations or similar.

For the DLS Color Viewing Light v8 you will find the following accessories, which can be ordered via webshop:

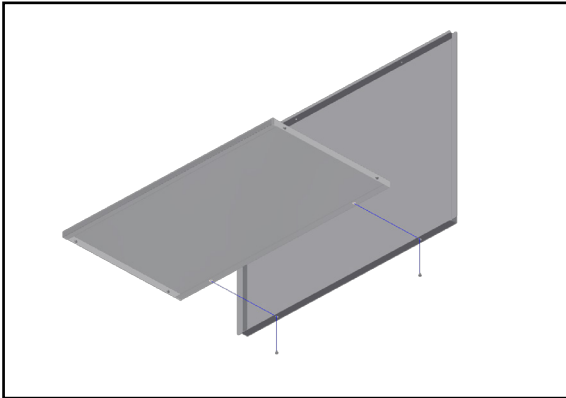
Article number	Accessories
95489	Sample holder progressive 0-60°
61598	Sample holder fix 45°
200734	Sample holder -15°, 0°, 15°, 45°, 60°
203015	JUST Concave Viewer 2D/3D
203059	matte-black interior lining
28647	Floor stand on wheels
13508	Storage Cabinet
203384	Diffusion Lens

You can find the webshop here:



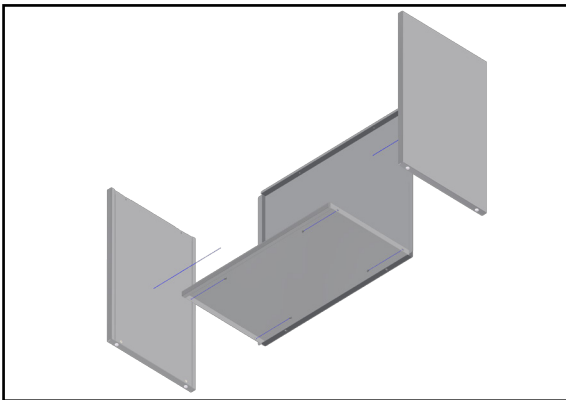
\*Data for US version of the product

# Mounting instruction



## **Step 1**

Mount the rear wall to the base using  
2 x M4 screws.



## **Step 2**

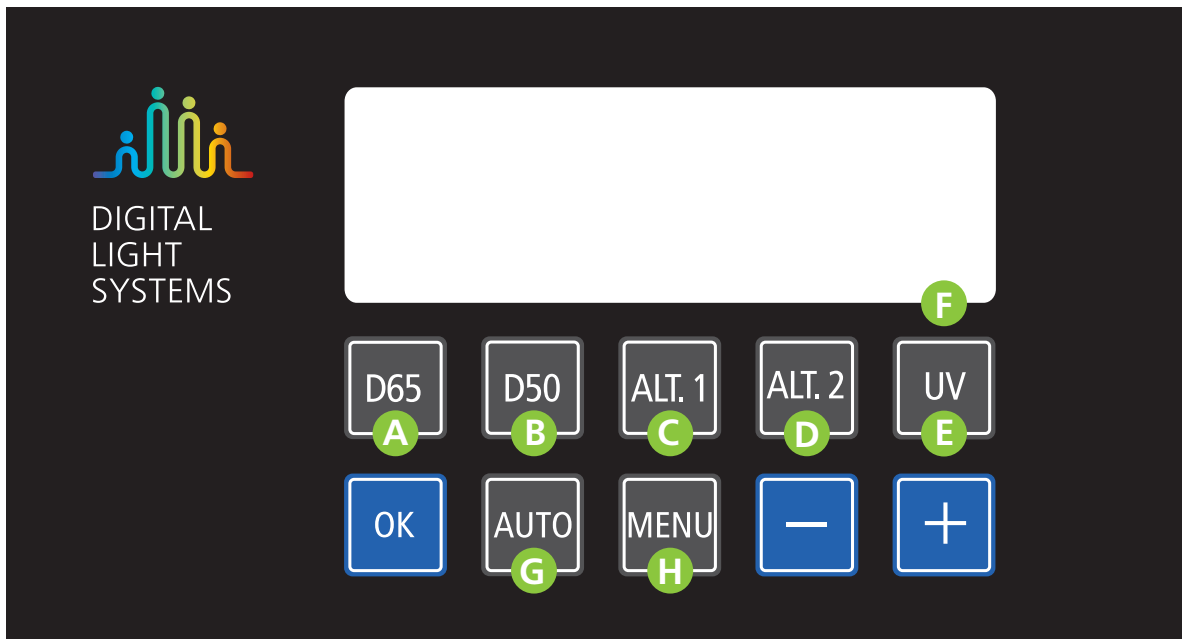
Mount the sidewalls to the base using  
4 x M4 screws.



## **Step 3**

Mount the DLS lamp  
on the assembled base using  
4 x M4 screws.

# Operating instruction



- (A) Switch on/off illuminant D65 according to ISO 3668
- (B) Switch on/off illuminant D50 according to ISO 3664
- (C) Alternative 1, custom-specific programming
- (D) Alternative 2, custom-specific programming
- (E) Switch on/off UV-content or switch on/off UV-Only
- (F) Display
- (G) Switch on/off stored viewing sequences
- (H) Menu

## Commissioning

1. Use the black main switch on the back of the housing to turn on the light. The display (F) lights up.
2. Choose illuminant (A - D). With the -/+ keys you can dimm the illuminant (only possible for A and B).
3. You can switch on/off the UV-content by using the UV-key (E).
4. Press the UV-key (E) for two seconds to activate the UV-only function.
5. Switch off the luminaire by pressing the light type (A-D).
6. The unit can be switched off via the black main switch.

## Notes

- The ALT 1 (C) and ALT 2 (D) keys are programmed by the manufacturer according to customer specifications.
- To recall stored presets, select the desired light type (A or B), press the OK key, select Preset load with -/+ key and confirm with OK.
- Mixed light can be selected by pressing the desired light types simultaneously (A or B with C and/or D).
- To return or exit, press the Menu-key (H).

## Programming light sequences

With the sequence function, you can save and start different consecutive light sequences.

To save a light sequence, proceed as follows:

1. Press the menu key (H).
2. Select *Sequence Setup* with + key and confirm with OK.
3. Open a program of your choice with the + key and OK key.
4. Select the first type of light you want to by pressing the respective key (A-D).
5. Set the desired light intensity with the -/+ keys (only possible for D50 and D65).
6. Save with OK.
7. Confirm  $S=1/5$  with the + key.  
S=sequence; 1 means that you select the first light type
8.  $S=2/5$  displayed.
9. Select the second illuminant (A-D) you want.
10. Select the illuminant again to open it.
11. Repeat step 4 to step 7.

Press and hold the OK button for two seconds to save the sequence.

You can set the duration of the respective sequence via *T*.  
Saved light sequences can be switched on with AUTO (G).

# Technical and electrical specifications

<b>Electric data</b>		
	<b>LED-based Viewing booth</b>	<b>Hybrid Viewing booth</b>
Maximum electric power	80 W	80 W
Electrical operating power	33 W	40 W
Operating voltage	230 V / 110V*	230 V / 110V*
Tension frequency	50 / 60 Hz	50 / 60 Hz
Connection cable	power cable, angle plug type 303 to IEC socket type 601 / NEMA 5-15P Male*	power cable, angle plug type 303 to IEC socket type 601 / NEMA 5-15P Male*
Maximum continuous current (continuous operation)	0,3 A / 0,7 A*	0,3 A / 0,7 A*
Operating mode	S1: Continuous operation	S1: Continuous operation
Expected lifetime (continuous operation)	>50.000 h	>50.000 h
<b>Photometric data and colormetric characteristics</b>		
	<b>LED-based Viewing booth</b>	<b>Hybrid Viewing booth</b>
Illuminant types	CIE D50 (5000 K) , CIE D65 (6500 K), UV-ONLY (UV-A), CIE B1-B5 (2733 - 6598 K / Ra=80)	CIE D50 (5000 K) , CIE D65 (6500 K), UV-ONLY (UV-A), CIE B1-B5 (2733 - 6598 K / Ra=80), TL84
Ra (Color Rendering Index) $\varnothing$	>95	>95
Metamerism Index (visible range)	$\leq 0,8$	$\leq 0,8$
Metamerism Index (UV-range)	$\leq 0,6$	$\leq 0,6$
Chromaticity error	<0,002	<0,002
Chromaticity coordinate (10°)	D50: x = 0,3478 y =0,3595, D65: x = 0,3138 y = 0,3309	D50: x = 0,3478 y =0,3595, D65: x = 0,3138 y = 0,3309
Dominant wavelength UV-ONLY	365 nm	365 nm
Radiant power UV-ONLY	6 W	6 W
Risk assessment according to DIN-EN-62471	D65+UV / D50+UV: RG0 UV-ONLY: RG1	D65+UV / D50+UV: RG0 UV-ONLY: RG1
<b>Mechanical data</b>		
	<b>LED-based Viewing booth</b>	<b>Hybrid Viewing booth</b>
Housing	Aluminium	Aluminium
Lens	special prismatic lens , UV-transmissive	special prismatic lens , UV-transmissive
Protection class	IP 52	IP 52
Permitted ambient temperature	0°C -40°C / 32°F -104°F	0°C - 40°C / 32°F -104°F

\*Data for US version of the product

# Troubleshooting

## **The display remains off.**

There is no power. First check whether you've got power and whether the device is connected to the right power supply in accordance with its specifications (110 V or 230 V). Then check if the device is switched on at the black main switch at the back of the housing and switch them on if necessary.

## **The light does not turn on.**

There is no power or the fuse for the light has blown. First check whether you've got power and whether the device is connected to the right power supply in accordance with its specifications (110 V or 230 V). Check the lamp's fuse, or have it checked by an electrician. You can usually find it at the device's main input.

If you have any issues, please contact your local dealer (see page 19).

To do this, have the article and serial number of your DLS Color Viewing Light v8 ready. This can be found at the silver-coloured rating plate on the back near the mains input of your device.

# Maintenance information

The manufacturer recommends that the booth be maintained

- in case of possible deviating color temperatures (D50/ D65)
- after 50,000 operating hours

to ensure uniformity and consistent light quality.

If fluorescent tubes are installed for ALT1 or ALT2, these must be replaced after 2,500 operating hours due to the aging process.

For maintenance please contact your local dealer (see page 19).

# Warranty policy

JUST Normlicht warrants this product against defects in material and workmanship for a period of twelve months from the date of shipment from the JUST Normlicht facility, unless mandatory law provides for longer periods. During such time, JUST Normlicht may choose at its discretion to either replace or repair any defective parts at no additional charge.

JUST Normlicht warranties herein do not cover failure of warranted goods resulting from:

1. Damage after shipment, accident, abuse, misuse, neglect, alteration or any other use not in accordance with JUST Normlicht recommendations, accompanying documentation, published specifications and standard industry practice.
2. Using the device in an operating environment outside the recommended specifications or failure to follow the maintenance procedures in JUST Normlicht accompanying documentation or published specifications.
3. Repair or service by anyone other than JUST Normlicht.
4. The failure of the warranted goods caused by use of any parts or consumables not manufactured, distributed, or approved by JUST Normlicht.
5. Any attachments or modifications to the warranted goods that are not manufactured, distributed or approved by JUST Normlicht.
6. Failure to use electrical protection.

Consumable parts and product cleaning are also not covered by the warranty.

Warranty is extended to the purchasing party only and not transferable to a second party if re-sold within the original 12 month period.

Repairs or replacement by JUST Normlicht shall not revive an otherwise expired warranty, nor shall the same extend the duration of a warranty.

All warranty returns must follow the Return Terms and Condition (see next page). Customer shall be responsible for packaging and shipping the defective product to JUST Normlicht and for paying all shipping charges, duties, taxes and any other charges for products returned to JUST Normlicht.

Proof of purchase in the form of an invoice which is evidence that the unit is within the warranty period must be presented to obtain warranty service. JUST Normlicht shall pay for the return of the product to customer.

**Do not try to dismantle the product. Unauthorised dismantling of the equipment will void all warranty claims. Contact JUST Normlicht, if you believe that the unit does not work anymore or does not work correctly.**



# Return Material Authorisation

of JUST Normlicht GmbH (hereinafter JUST)

All returns require an RMA number. Please contact our local support team (see contact details on page 19) by phone or email to obtain a RMA number. Returns will be authorized in accordance with the following terms and conditions. If it is deemed that the parts should be returned, a JUST representative will send you an RMA form.

Completely fill out the RMA form and place a copy of the form in the box with the item(s) being returned. Send a copy of this form to JUST via email and keep a copy for yourself. Clearly mark the outside of the box with the RMA number. Products will not be accepted by JUST for return if not accompanied by a valid RMA number, which must be clearly marked on the outside of the package.

## **Stock returns**

Return of products for replacement, credit or refund must be made within thirty (30) days of the invoice date. Authorization of stock returns is at the sole discretion of JUST. All authorized returns shall be subject to a fifteen percent (15%) restocking charge **of the purchase price** and purchaser shall prepay all shipping charges, duties, taxes and fees. Prior to returning any product, purchaser shall obtain a Return Material Authorization (RMA) number from JUST Customer Service Department and mark the outside of all packages with the RMA number.

Products must be new, unused and contain all the original packaging, instruction manuals and accessories. There is no restocking charge due to errors by JUST if correct order information was furnished with the order.

## **Custom order returns**

The return of all custom order parts is subject to acceptance by JUST. If a custom order part is authorized for return and is a customer error, 50% of the purchase price will be applied as a standard restocking charge.

## **Warranty returns**

Products to be returned for warranty coverage must be within the applicable warranty period. If the customer requests that a replacement be sent immediately, the replacement product will be billed to the customer's account in accordance with JUST's standard payment terms. Then, once a final decision of the return is made, a credit will be issued if the warranty claim is allowed.

## **Non-warranty returns**

If the customer wishes to return a product for repair that is no longer within the warranty period or for damage not covered by the warranty, JUST will advise the customer of the estimated cost of the repair. Return of the product will be the authorization to repair and agreement to pay for the cost of repair, return shipping, insurance and any applicable customers, duties or handling fees, whether or not it exceeds the original estimate.

## **Transportation charges**

The customer is responsible for all transportation, insurance, duties and other similar charges for all returned product to JUST and the customer must ensure that the product is appropriately packed. Products shipped to JUST freight collect will be refused. If the customer arranges return shipment, they and their carrier are responsible for any shipping damages. Shipping damages resulting from improper packaging will be at the customer's responsibility.

After repair, JUST will return the product ground freight prepaid for in-warranty items. For any other shipment method, customer must pay the difference in freight. Non-Warranty items will be invoiced for any parts, labor, and shipping charges. Products will not be accepted by JUST for return if not accompanied by a valid RMA number, which must be clearly marked on the outside of the package. Requesting an RMA number from JUST, constitutes customer acceptance and agreement with these JUST RMA terms and conditions.

# Contact details

Our sales team will be available for you by phone or E-Mail

- **Sales Team**

  - Germany & International**

    - phone: +49 7023 9504-0
    - E-Mail: info@just-normlicht.com

- **Sales Team**

  - France, Benelux, Spain, Portugal, Morocco, Algeria, Libya, Tunisia**

    - phone: +33 3 8806 2822
    - E-Mail: info@just-normlicht.fr

- **Sales Team**

  - USA, Canada, Mexico**

    - phone: +1 267 852-2203
    - E-Mail: sales@just-normlicht.com

For more information about our company and products visit

- our website [www.just-normlicht.com](http://www.just-normlicht.com)



- our social media channels



# Document History

Rev. - Nr.	Modification date	Modification	Internal ID

